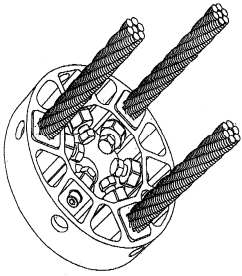


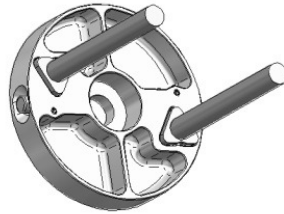
USER MANUAL ARMIGO

WEEDBRUSHES TO MECHANICALLY REMOVE WEEDS USED ON BRUSHCUTTERS

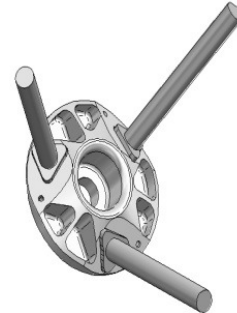
ARMIGO



ARMIGO 2



ARMIGO TRIPLO



THE USER MANUAL GIVES INSTRUCTIONS FOR MOUNTING, USE AND SECURITY REGULATIONS OF THE BRUSH HEAD ARMIGO, ARMIGO 2 AND ARMIGO TRILPO.

1. SECURITY REGULATIONS

PLEASE READ THE REGULATIONS PRIOR TO YOUR FIRST USE OF THE BRUSHHEAD AND ENSURE YOURSELF TO HAVE FULL KNOWLEDGE OF THE SAFE OPERATION OF THE ARMIGO.

WHEN YOU HAVE ANY QUESTIONS REGARDING THE SAFE OPERATION OF THE ARMIGO: PLEASE CONTACT YOUR DEALER.

THE MANUFACTURER AND/OR DEALER IS NOT RESPONSIBLE FOR DAMAGE WHICH IS CAUSED BY USE OF THE ABOVE MENTIONED EQUIPMENT ON THE BRUSH CUTTER AND THE ENVIRONMENT. UNDER RESERVATION OF TECHNICAL CHANGES.

ALL USE IS YOUR OWN RISC.

- **OBSERVE ALL REGULATIONS FROM THE MANUFACTURER OF THE BRUSH CUTTER, ESPECIALLY THE REGULATIONS FOR THE USER AND THE WORKING FIELD**
- **MAXIMUM REVOLUTIONS PER MINUTE: 12.000**

BEFORE USE:

- WHEN STARTING THE MACHINE: TAKE CARE THAT ENOUGH ROOM AROUND THE BRUSH HEAD IS AVAILABLE. BY THE TURNING MOVEMENT THE THREAD OF THE BRUSHES WILL BEND TO THE OUTSIDE IN A CIRCLE WITH A DIAMETER OF 35 CM.
- CHECK THAT ALL FIXING PARTS ARE TIGHTENED PROPERLY.
- DO NOT USE SYNTHETIC BRUSHES AND STEEL BRUSHES IN COMBINATION.
- DO NOT USE ALREADY USED (AND THEREFORE SHORTER) AND NEW BRUSHES IN COMBINATION.
- ALWAYS ENSURE A GOOD OVERVIEW WHILE WORKING WITH THE ARMIGO.
- NOTE THAT THE BRUSH IS TURNING TO THE LEFT. THE DUST FLOW ALSO SHOOTS TO THE LEFT.
- MANEUVERABILITY IS IMPROVED BY TURNING THE BRUSH HEAD IN AN ANGLE OF 35-45° DEGREES TO THE TOP OF THE BRUSH CUTTER.
- THE BRUSH THREAD SHOULD HAVE A MINIMAL LENGTH OF 15 MM. WHEN THE LENGTH IS SHORTER, YOU MUST REPLACE THE BRUSHES IMMEDIATELY, BECAUSE THIS CAN CAUSE DAMAGE ON THE BRUSH HEAD.
- WHILE WORKING OBSERVE THAT THE MOWER/BRUSHCUTTER DOES NOT OVERHEAT.
- MOUNTING AND DEMOUNTING CAN THEN BE DONE EASILY AND WITHOUT DAMAGE.

IN USE:

- HOLD THE BRUSH CLOSE TO THE SURFACE. THIS PREVENTS DUST AND SMALL STONES TO BE THROWN IN THE AIR.
- VIBRATION OF YOUR MACHINE IS POSSIBLE DUE TO UNBALANCE: **SHUT DOWN THE ENGINE IMMEDIATELY** STRONG VIBRATION CAN LEAD TO DAMAGE TO BRUSHES AND BRUSH CUTTER WITH ALL POSSIBLE CONSEQUENCES.
- USE ONLY ORIGINAL BRUSHES .
- USE THE MAXIMUM SIZE SAFETY CAP.
- NEVER USE THE ARMIGO FOR PURPOSES IT WAS NOT MADE FOR.
- WHEN WORKING WITH THE BRUSH CUTTER ALWAYS WEAR SAFETY BOOTS AND SAFETY CLOTHING. THESE PROTECT YOU AGAINST LOOSE STONES AND THREADS OF THE BRUSH.
- ALWAYS WEAR PROTECTIVE GLOVES WHEN YOU REMOVE THE BRUSHES.

AFTER USE:

- DISCONNECT THE ARMIGO PRIOR TO CLEANING OR MAINTENANCE.
- ONLY USE ORIGINAL SPARE PARTS FOR THE ARMIGO.
- THE BRUSH HEAD NEEDS TO BE CLEANED AFTER USE IN ORDER TO PREVENT DIRT FROM INCRUSTING

2. MOUNTING OF BRUSHES

NOTE: LEFTHAND THREAD

NOTE: THE PRESCRIBED TIGHTENING BY THE MANUFACTURER OF THE BRUSH CUTTER

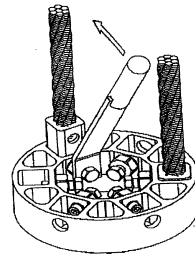
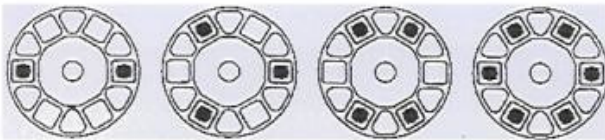
- MAKE SURE THE BEARING SURFACE AND AXEL ARE CLEAN.
- PLACE THE SHELL ON THE AXEL AND PLACE THE RING AND NUT TURN THE NUT WITH AID OF A 19 MM WRENCH.
- USE THE BRUSHES ONLY FOR MOTORS WITH A CILINDER CONTENT OF 45 CC OR MORE.

2.1.MOUNTING OF BRUSHES IN ARMIGO

DEPENDING ON THE USE AND POWER OF THE BRUSH CUTTER THE ARMIGO 2 CAN BE USED WITH 2 OR 3 STEEL BRUSHES AND WITH 2,3, 4 OR 6 BRUSHES (IN DEVELOPMENT).

PLEASE NOTE THAT THE BRUSHES ARE SPEADED EVENLY AND SYMMETRICALLY OVER THE BRUSH HEAD

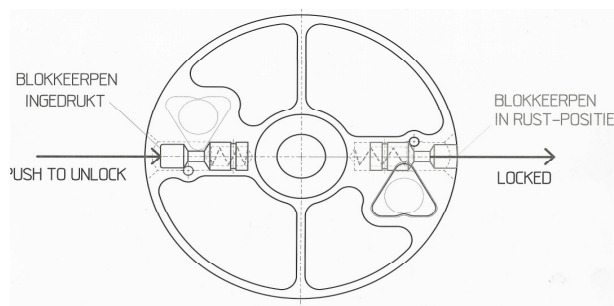
- PUT THE KEY BETWEEN THE BRASS NUT AND NIPLLE (SEE DRAWING BELOW)
- PUT THE BRUSH INTO THE HOLE.
- PUSH THE KEY TO THE OUTSIDE SO THAT THE BRUSH CAN MOVE TO THE BOTTOM.



- TAKE CARE THAT THE SECURITY PIN FALLS INTO THE PLACE.

2.2. MOUNTING OF BRUSHES IN ARMIGO 2 AND TRIPLO

THE ARMIGO 3 CAN ONLY BE USED WITH 3 BRUSHES - THE ARMIGO 2 CAN ONLY BE USED WITH 2 BRUSHES

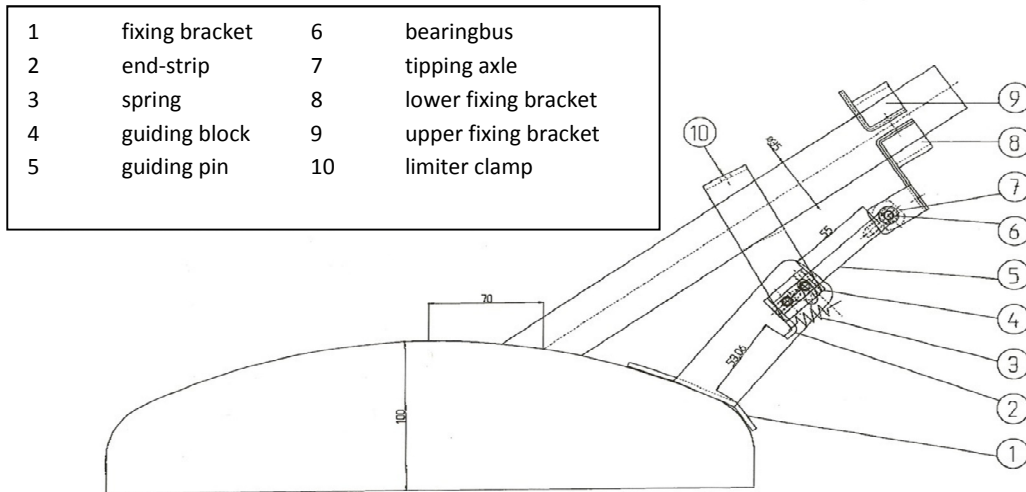


- PUSH THE BUTTON TO UNLOCK (SEE DRAWING).
- PUT THE BRUSH TUFTS INTO THE TRIANGULAR OPENING.
- THE TUFTS CAN ONLY BE PLACED IN ONE WAY, WITH THE INDENTATION TOWARDS THE LOCK.
- LET GO OF THE LOCKING PIN. IT WILL RETURN TO THE FIRST POSITION.
- PLEASE CONTROL IF THE LOCKING PIN FITS PERFECTLY. YOU CAN CHECK THIS VISUALLY OR BY PULLING ON THE TUFTS.

PLEASE NOTE THE FOLLOWING: THE BRUSH HEAD NEEDS TO BE CLEANED AFTER USE TO AVOID ENCRUSTED DIRT.

3. PROTECTION HOOD FOR ALL ARMIGO'S

THE PROTECTION HOOD FOR ALL ARMIGO'S HAS BEEN DEVELOPED TO IMPROVE A SAFE OPERATION IN COMBINATION WITH THE BRUSH CUTTER AND MAXIMIZE THE VERSATILE APPLICATION. THE PROTECTION HOOD CAN BE ADJUSTED TO ENSURE THAT THE WEED THREADS WILL ALWAYS REACH THE SURFACE AND THE DIFFICULT SPOTS AND CORNERS.



- **ENSURE THAT THE WEED BRUSHES CAN MOVE FREELY FROM THE PROTECTION HOOD:** LET THE BRUSH CUTTER OPERATE ONCE ON FULL SPEED AND JUDGE IF THE FREE MOVEMENT IS POSSIBLE.

WHEN FREE MOVEMENT IS NOT POSSIBLE: ADJUST THE ANGLE OF BRUSH HEAD (4) OR PUSH THE STALK ALONG THE FIXING BRACKETS (8-9) UNTIL IT TURNS FREELY.

WARNING: WHEN THE BRUSHES CAN NOT TURN FREELY THE PROTECTION HOOD CAN BE DAMAGED

- MOUNT THE FIXING BRACKETS ON THE PROTECTION HOOD WITH THE 4 SUPPLIED SCREWS. SEE ALSO MOUNTING OF BRUSHES.
- ADJUST THE PROTECTIVE CAP ON A HORIZONTAL SURFACE.
- REMOVE THE FIXING BRACKETS (9).
- REMOVE THE TOP OF THE BRUSH CUTTER.
- PLACE THE SHAFT THROUGH THE ANGLE ADJUSTMENT AND THE OPENING IN THE PROTECTION HOOD.
- MOUNT THE TOP OF THE BRUSH CUTTER BACK ON THE BRUSH CUTTER.
- MOUNT THE ARMIGO ONTO THE TOP OF THE BRUSH CUTTER.
- TURN THE TOP OF THE BRUSH CUTTER WITH AN ANGLE OF 25 DEGREES TO THE LEFT. SCREW THE FIXING BRACKETS (9) BACK ON PART (8).
- SCREW ON TO THE SHAFT. ADJUST THE ANGLE TO YOUR LENGTH WHILE THE STALK RESTS AGAINST THE ADJUSTING SCREW ON THE OTHER SIDE WITH A SPACE OF ABOUT 3 CM FROM THE BOTTOM TO THE CAP. NOW TIGHTEN THE SCREWS.

